

K-FUTURE HANDGUARDS PARAMANI K-FUTURE

ACERBIS

COD. 500007754 REV.2

ACERBIS PARTS



LH - (1 pcs)



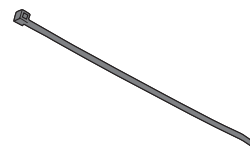
RH - (1 pcs)



B - (2 pcs)



C - (4 pcs)

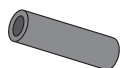


H - (2 pcs)



I - (2 pcs)

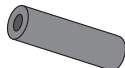
*



D - (2 pcs.)

Clutch + brake
28 x 7 Magura

Frizione + freno
28 x 7 Magura



E - (1 pcs.)

Brake
28 x 7,9 Brembo

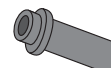
Freno
28 x 7,9 Brembo



F - (1 pcs.)

Clutch
5,7 x 4,7 Brembo

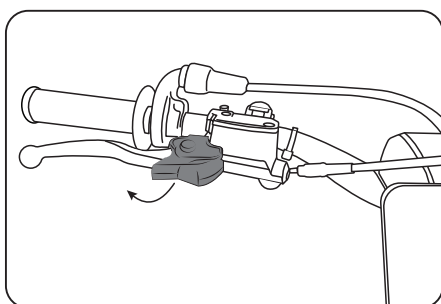
Frizione
5,7 x 4,7 Brembo



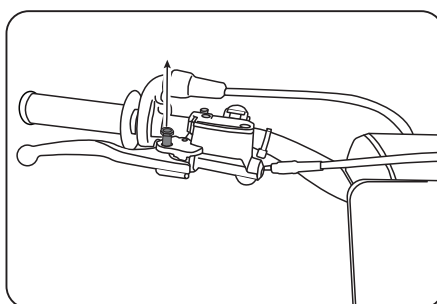
G - (2 pcs.)

Clutch + brake
28,5 x 7,9 Braktec

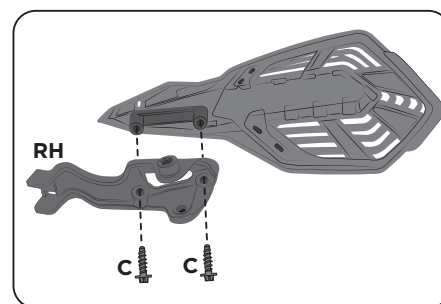
Frizione + freno
28,5 x 7,9 Braktec



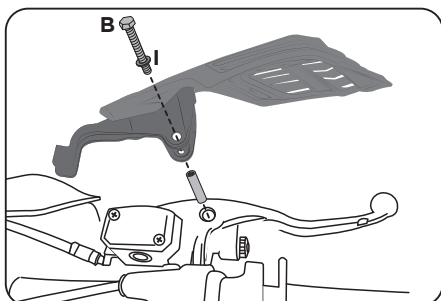
- 1 - Remove the rubber protections.**
1 - Rimuovere le protezioni in gomma.



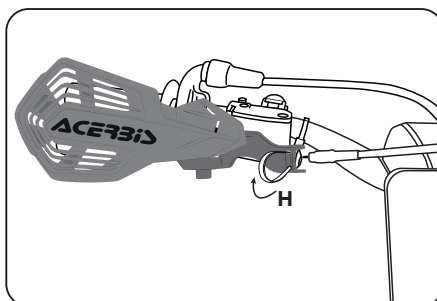
- 2 - Remove the original screws.**
2 - Rimuovere le viti originali.



- 3 - Fix the handguard to the right side mount (RH).**
3 - Fissare il paramano al bracciale (RH) attraverso 2 viti (C).



- 4 - Mount the bushing in the pump (choose the bushing according to the table*), then assemble the handguard to the handlebar through the screw (B) and the washer (I).**
4 - Montare la boccola nella pompa (scegliere la boccola in base alla tabella*), poi assemblare il paramano al manubrio attraverso la vite (B) e la rondella (I).



- 5 - Fix with band (H). Repeat with the left handguard.**
5 - Fissare attraverso fascetta (H). Ripetere con il paramano sinistro.

WARNING!

Follow mounting instruction exactly. Ensure that the mounting is secure before riding. These handguards will not prevent injury in the event of a crash. They are designed to protect the hands from cold weather. Be sure that you follow the instruction for installing the handguards. Do not ride with a broken tie wrap. Check to be sure the throttle and other controls are free every time you ride. Failure to heed instruction and this warning could lead to interference with the controls, loss of control of the motorcycle, and an accident.